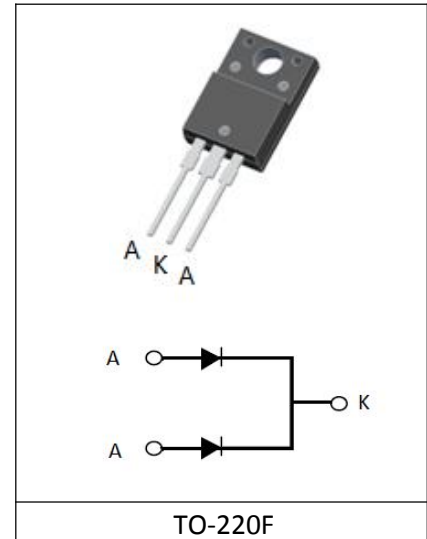


## SCHOTTKY RECTIFIERS

### Features:

- Low power loss,high efficiency
- High surge capacity
- For use in low voltage,high frequency inverters, free wheeling,and polarity protection applications
- Metal silicon junction,majority carrier conduction
- Guard ring for over voltage protection



### Absolute Maximum Ratings( $T_c=25^{\circ}\text{C}$ ):

Characteristics	Symbol	Rating	Unit
Maximum Repetitive Reverse Voltage	$V_{RRM}$	100	V
Average Rectified Forward Current	$I_{F(AV)}$	20	A
Non-repetitive Peak Forward Surge Current 8.3ms Single Half-Sine-Wave	$I_{FSM}$	135	A
Collector power dissipation $T_a=25^{\circ}\text{C}$	$P_{tot}$	2.0	W
Junction temperature	$T_j$	175	$^{\circ}\text{C}$
Storage temperature range	$T_{STG}$	-55~175	$^{\circ}\text{C}$

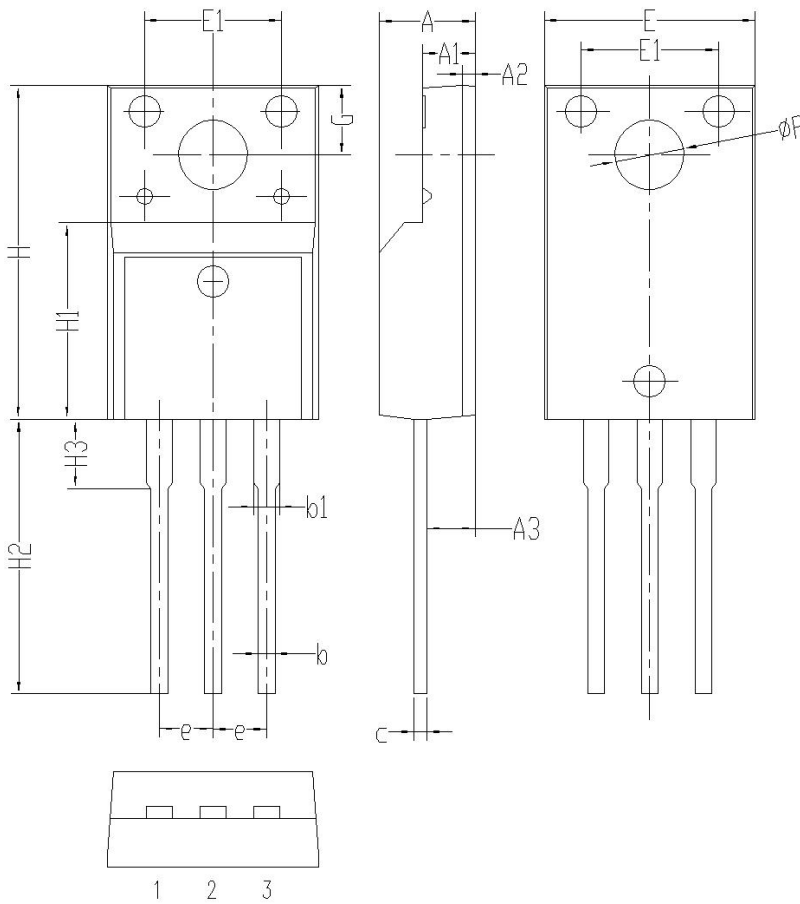
### Electrical Characteristics( $T_c=25^{\circ}\text{C}$ ) :

Characteristics	Symbol	Test Condition	Min	Typ	Max	Unit
Forward Voltage	$V_F$	$I_F=10\text{A}; T_c=25^{\circ}\text{C}$		0.8	0.9	V
Reverse Current	$I_R$	$V_R=100\text{V}; T_c=25^{\circ}\text{C}$ $V_R=100\text{V}; T_c=125^{\circ}\text{C}$			0.01 10.0	mA
Peak Repetitive Reverse Surge Current	$I_{RRM}$	2.0 us Pulsu Width , $f=1.0\text{KHZ}$ $T_J<175^{\circ}\text{C}$			5	A

Symbol	Paramter	Typ	Units
$R_{\theta JC}$	Junction-to-Case	1.5	$^{\circ}\text{C}/\text{W}$

## Package Information

### TO-220F PACKAGE



	單位: mm		
	MIN	NOM	MAX
A	4.35	4.55	4.75
A 1	2.3	2.5	2.7
A 2	0.4	0.6	0.8
A 3	2.1	2.3	2.5
b	0.6	0.8	1.0
b 1	1.0	1.2	1.4
c	0.3	0.5	0.7
e	2.3	2.5	2.7
E	9.8	10	10.2
E 1	6.3	6.5	6.7
H	15.6	15.8	16.0
H 1	8.8	9	9.2
H 2	12.9	13.2	13.5
H 3	3.1	3.3	3.5
G	3.1	3.3	3.5
ΦP	3.1	3.3	3.5